

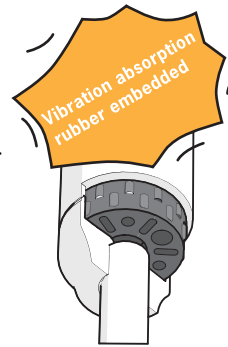
PME Series D45mm LED Tower Light



The PME Series features low maintenance and energy efficiency using the latest in LED technology

Product Features

- Menics Exclusive Hybrid Prism Cut Lens.
- Original Dual Reflection System
- Installation: Direct or pole mount.
- Color-coordinated Wiring : Corresponds to the lens colors for quick wiring verification.
- Interchangeable LED Modules : No re-wiring even after installation.
- Main Body: ABS resin with superior resistance to impact and heat
- Lens: Superior impact resistant and light translucent PC resin.
- Available Colors: Red, Yellow, Green, Blue, Clear
- High visibility from any angle.
- This product conforms to the CE requirements and shows the CE Marking.
- This product complies with the RoHS Directive.



General Specifications

Size	45mm diameter
Input Voltage Options	12V AC/DC 24V AC/DC 90 ~ 240V AC, 50/60Hz
Tiers	1 ~ 5 modules can be stacked
Functions Available	Continuous , Flashing , Buzzer
Flash Rate	80 times/minute (±10%)
Buzzel Sound Level	80±5dB at 1m - (12V, 24V only possible)
LED Module Colors	Red / Yellow / Green / Blue / Clear
Ambient Temperature	-15 to 40°C (no freezing)
Storage Temperature	-20 to 70°C (no freezing)
Operating Humidity	45 to 85% RH (no condensation)
Insulation Resistance	100MΩ minimum (500V DC megger)
Vibration Resistance	Operating extremes: 10 to 55Hz, amplitude 0.75mm
Material	Body: ABS resin Lens: PC resin Pole: Aluminum Pole Mount base: ABS resin
Mounting Options	- Pole mount: with 205mm Aluminum pole, Mount base - Direct mount
Protection	CE , RoHS
Degree of Protection	IP52
Wire	UL1007 / 22AWG

Functional Specifications

LED Color Code	R (red), Y (yellow), G (green), B (blue), C (Clear)					
12V	Illumination Color	Red	Yellow	Green	Blue	Clear
	Rated Current (per tier)	41mA	60mA	48mA	55mA	36mA
24V	Illumination Color	Red	Yellow	Green	Blue	Clear
	Rated Current (per tier)	27mA	30mA			
90~240V	Illumination Color	Red	Yellow	Green	Blue	Clear
	Rated Current (per tier)	20mA	25mA			
Flashing Cycle		Approx. 80 flashes per minute				

Note: Life of the LED varies according to operating conditions and environment.

Ordering Information

PME G F - 302 - RYG



1. Mounting Style

G	Direct plastic mount base
P	Pole + Plastic mount base
M	Pole + Plastic M20 screw mount base (MAM-B025)

2. Light Style

	Steady Light
F	Steady + Flashing Light
B	Steady + Buzzer
Z	Steady + Flashing + Buzzer

3. Number of Stacks

1	1 Light	4	4 Lights
2	2 Lights	5	5 Lights
3	3 Lights		

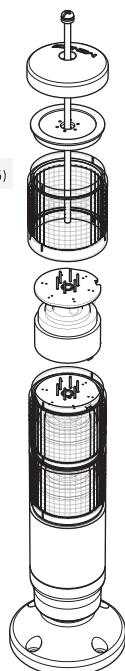
4. Power Supply

01	12V AC/DC	FF	90~240V AC
02	24V AC/DC		

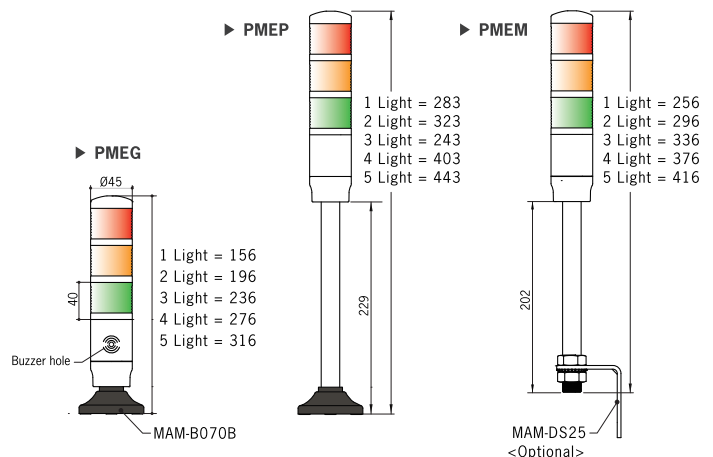
5. Colors

R	Red	B	Blue
Y	Yellow	C	Clear
G	Green		

Note: Specify illumination color from the top tier.



Dimensions (Unit:mm)

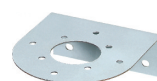


Wiring diagram

Note: See page 11 for wiring diagram

Optional Parts

Wall Mounting Bracket



MAM-DS28
Steel



MAM-DS25
Steel



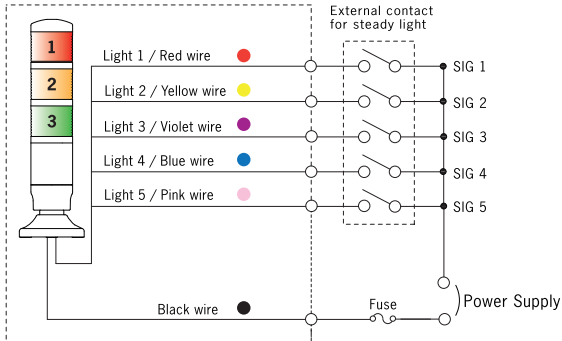
MAP-DS30
Plastic

See Page 35 ~ 37
for Mounting Options and Accessories.

PME, MP8, ML8 Series Wiring Diagram

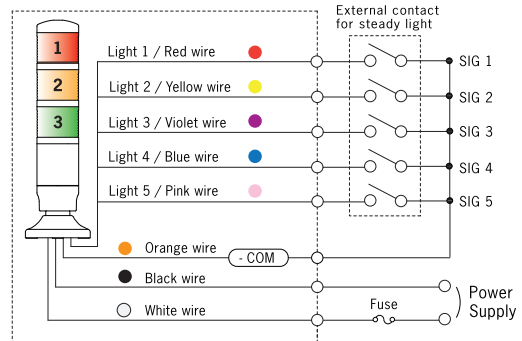
▶ Steady Lights

12V AC/DC
24V AC/DC



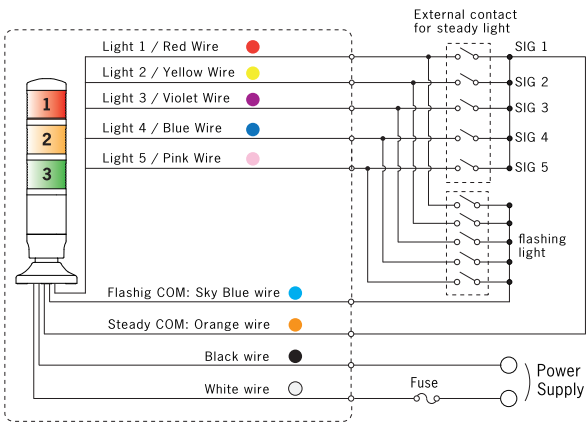
* No polarity for DC applications.

90~240V AC



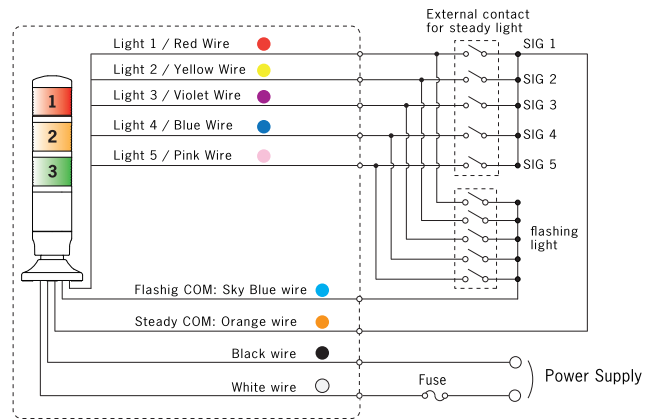
▶ Steady & Flashing Lights

12V AC/DC



* No polarity for DC applications.

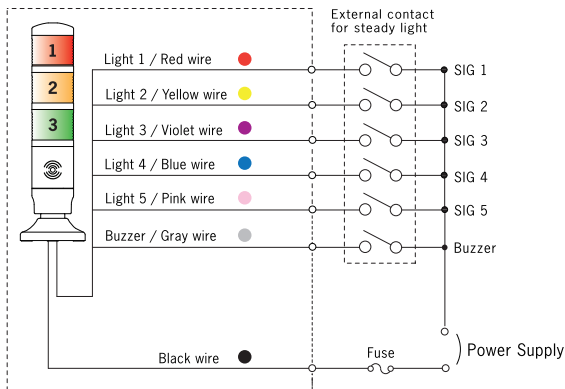
24V AC/DC
90~240V AC



* No polarity for DC applications. * No polarity for DC applications.

▶ Steady Lights (with Buzzer)

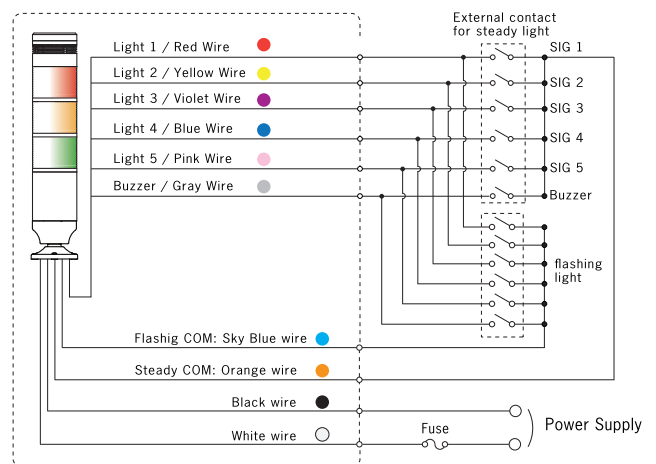
12V AC/DC
24V AC/DC



* No polarity for DC applications.

▶ Steady & Flashing Lights (with Buzzer)

12V, 24V AC/DC
90~240V AC



* No polarity for DC applications.

