

SLSR 95



Protective throughbeam photoelectric sensor

⚠ Safety note:

- The protective throughbeam photoelectric sensor is a contactless active protective device only in connection with a safety-relevant control system, in which the cyclical testing of transmitter and receiver is carried out according to EN 61496-1, category 2 (testing).
- The power supply unit used to operate the photoelectric sensor has to be able to compensate for changes and interruptions of the supply voltage acc. to EN 61496-1. Minimum blackening object: \varnothing 13mm.

Accessories

(available separately)

- Mounting systems (BT 95, UMS 1)
- M12 connectors (KD ...)
- Ready-made cables in straight or angular versions, length 5m (KB ...)
- Test-monitoring unit:
 - TNT 35 (Art. no. 500 33058)
 - TMC 66 (Art. no. 500 82121)

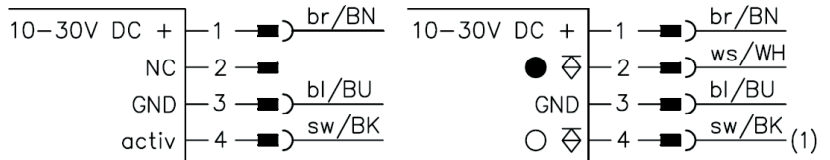


Leuze electronic GmbH + Co. KG

Features

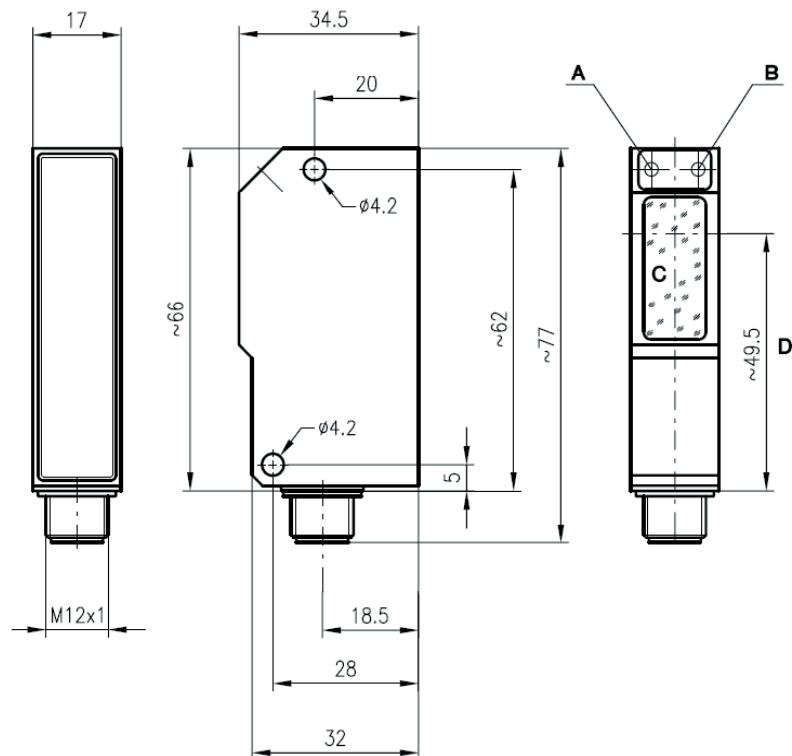
- Protective throughbeam photoelectric sensor with high performance reserve in visible red light
- Small construction with glass cover and robust zinc diecast housing, protection class IP 67 for industrial application
- Complementary outputs for light/dark switching or as a control function

Electrical Connection



(1) For operation with Leuze test-monitoring units, the photoelectric sensor must be connected in light switching mode (pin 4)

Dimensional Drawing



- A Switching indicator yellow
- B Operation indicator green
- C Transmitter/receiver
- D Optical axis

Order guide

	Designation	Art. no.
Transmitter and receiver	SLSR 95/44.8 L	
Transmitter	SLSR 95/2.8 SE-L	500 80183
Receiver	SLSR 95/44 E-L	500 80184

602064 - 2009/01 Subject to change without prior notice

Technical Data

Optical data	
Typ. operating range limit ¹⁾	0 ... 10m
Operating range ²⁾	0 ... 8m
Light source	LED (modulated light)
Wavelength	660nm
Timing	
Switching frequency	200Hz
Response time	2.5ms
Delay before start-up	≤ 100ms
Electrical data	
Operating voltage U _B	10 ... 30V DC (incl. residual ripple)
Residual ripple	≤ 15% of U _B
Bias current	≤ 35mA
Switching output	2 PNP transistor outputs, complementary
Function characteristics	light/dark switching
Signal voltage high/low	≥(U _B -2V) / ≤ 2V
Output current	max. 100mA
Indicators	
Receiver	
LED green	ready
LED yellow	light path free
LED yellow flashing	light path free, no performance reserve
Transmitter	
LED green	ready
LED yellow	transmitter ON
Mechanical data	
Housing	diecast zinc
Optics cover	glass
Weight	90g
Connection type	M12 connector, stainless steel receiver 4-pin, transmitter 4-pin
Environmental data	
Ambient temp. (operating/storage)	-25°C (-30°C) ... +60°C/-40°C ... +70°C
Protective circuit ³⁾	2, 3
VDE safety class ⁴⁾	II, all-insulated
Protection class	IP 67
Standards applied	IEC 60947-5-2
Options	
Activation input active	
Transmitter active/not active	≥ 8V/ ≤ 2V or not connected
Activation/disable delay	≤ 1ms
Input resistance	4.76kΩ ± 10%

1) Typ. operating range limit: max. attainable range without performance reserve

2) Operating range: recommended range with performance reserve

3) -30°C with operating voltage continuously applied

4) 2= polarity reversal protection, 3= short circuit protection for all outputs

5) Rating voltage 250 VAC



ILS 95

Throughbeam photoelectric sensors

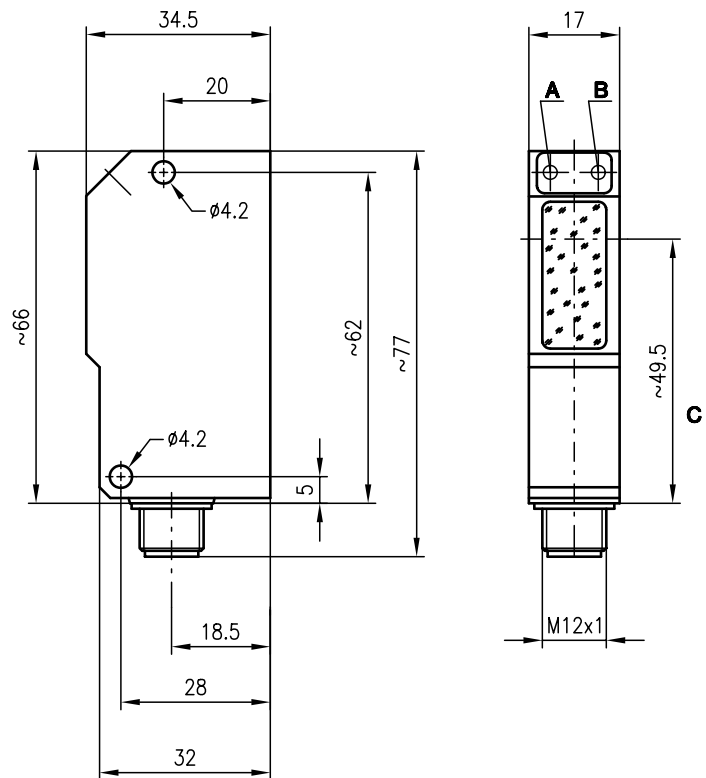


0 ... 20m

10 - 30 V
DC

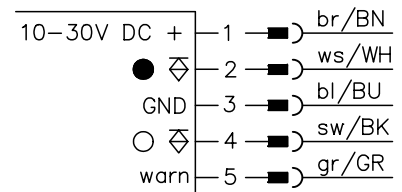
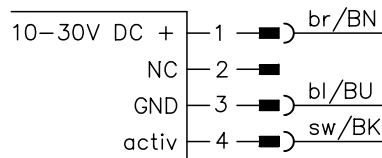
- Throughbeam photoelectric sensor with high performance reserve using visible red light or infrared light
- High switching frequency for detection of fast events
- Small construction with glass cover and robust zinc diecast housing, protection class IP 67/IP 69K for industrial application
- Complementary switching outputs for light/dark switching or as a control function

Dimensioned drawing



- A Switching indicator yellow
- B Operation indicator green
- C Optical axis

Electrical connection



Accessories:

(available separately)

- Mounting systems (BT 95, UMS 1)
- M12 connectors (KD ...)

Specifications

Optical data

Typ. operating range limit ¹⁾
 Operating range ²⁾
 Light source
 Wavelength

ILS 95/44.8 L.1

Infrared light
 0 ... 20m
 0 ... 12m
 LED (modulated light)
 880nm

ILSR 95/44.8 L

Red light
 0 ... 20m
 0 ... 12m
 LED (modulated light)
 660nm

Timing

Switching frequency
 Response time
 Delay before start-up

1000Hz
 0.5ms
 ≤ 100ms

Electrical data

Operating voltage U_B
 Residual ripple
 Bias current
 Switching output
 Function characteristics
 Signal voltage high/low
 Output current

10 ... 30VDC (incl. residual ripple)
 ≤ 15% of U_B
 ≤ 35mA
 2 PNP transistor outputs, complementary
 light/dark switching
 $\geq (U_B - 2V) / \leq 2V$
 max. 100mA

Indicators

LED green
 LED yellow
 LED yellow flashing

ready
 light path free
 light path free, no performance reserve

Mechanical data

Housing
 Optics cover
 Weight
 Connection type

diecast zinc
 glass
 90g
 M12 connector, stainless steel
 receiver 5-pin, transmitter 4-pin

Environmental data

Ambient temp. (operation/storage)³⁾
 Protective circuit ⁴⁾
 VDE safety class ⁵⁾
 Protection class
 LED class
 Standards applied

-25°C (-30°C) ... +60°C/-40°C ... +70°C
 2, 3
 II, all-insulated
 IP 67, IP 69K ⁶⁾
 1 (acc. to EN 60825-1)
 IEC 60947-5-2

Options

Activation input activ
 Transmitter active/not active
 Activation/disable delay
 Input resistance

≥ 8V/≤ 2V or not connected
 ≤ 1ms
 4.7kΩ ± 10%

Warning output autoControl warn
 Signal voltage high/low
 Output current

PNP transistor, counting principle
 $\geq (U_B - 2V) / \leq 2V$
 max. 100mA

- 1) Typ. operating range limit: max. attainable range without performance reserve
- 2) Operating range: recommended range with performance reserve
- 3) -30°C with operating voltage continuously applied
- 4) 2=polarity reversal protection, 3=short-circuit protection for all outputs
- 5) Rating voltage 250VAC
- 6) IP 69K test acc. to DIN 40050 part 9 simulated, high pressure cleaning conditions without the use of additives, acids and bases are not part of the test

Order guide

	Designation	Part No.
Infrared light		
Transmitter and receiver	ILS 95/44.8 L.1	
Transmitter	LS 95/2.8 SE-L.1	500 26835
Receiver	ILS 95/44 E-L.1	500 26836
Red light		
Transmitter and receiver	ILSR 95/44.8 L	
Transmitter	LSR 95/2.8 SE-L	500 25606
Receiver	ILSR 95/44 E-L	500 25608

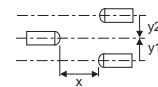
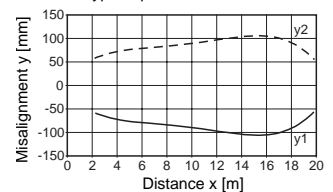
Tables

0	12	20
---	----	----

Operating range [m]
 Typ. operating range limit [m]

Diagrams

Typ. response behaviour



Remarks

- The throughbeam photoelectric sensor using visible red light is also available with integrated AS-i chip for direct connection to the AS-i system.



LSR 95

Throughbeam photoelectric sensors

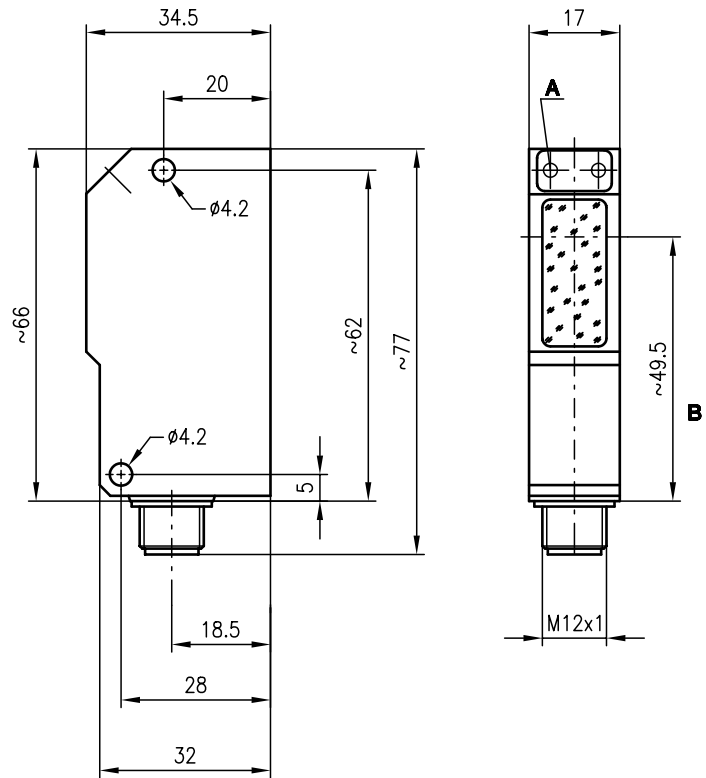


0 ... 10m



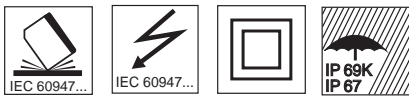
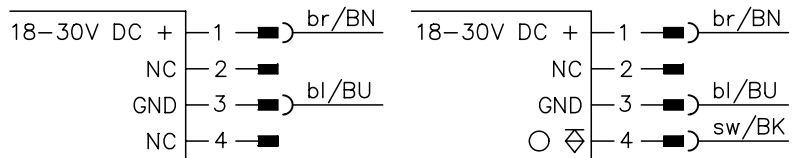
- Throughbeam photoelectric sensor with high performance reserve in red light
- Small construction with glass cover and robust zinc diecast housing, protection class IP 67/IP 69K for industrial application
- Mounting holes and M12 connector for fast installation

Dimensioned drawing



- A Switching indicator yellow
- B Optical axis

Electrical connection



Accessories:

(available separately)

- Mounting systems (BT 95, UMS 1)
- M12 connectors (KD ...)

We reserve the right to make changes • 95_a02e.fm



Specifications

Optical data

Typ. operating range limit ¹⁾
Operating range ²⁾
Light source
Wavelength

LSR 95/4 L
0 ... 10m
0 ... 6m
LED (modulated light)
660nm (visible red light)

Timing

Switching frequency
Response time
Delay before start-up

200Hz
2.5ms
≤ 100ms

Electrical data

Operating voltage U_B
Residual ripple
Bias current
Switching output
Function characteristics
Signal voltage high/low
Output current

18 ... 30VDC (incl. residual ripple)
≤ 15% of U_B
≤ 30mA
1 PNP transistor output
light switching
≥ ($U_B - 2V$) / ≤ 2V
max. 100mA

Indicators

LED yellow

light path free

Mechanical data

Housing
Optics cover
Weight
Connection type

diecast zinc
glass
90g
M12 connector, stainless steel
receiver 4-pin, transmitter 4-pin

Environmental data

Ambient temp. (operation/storage)
Protective circuit ³⁾
VDE safety class ⁴⁾
Protection class
LED class
Standards applied

-20°C ... +60°C / -30°C ... +70°C
2, 3
II, all-insulated
IP 67, IP 69K ⁵⁾
1 (acc. to EN 60825-1)
IEC 60947-5-2

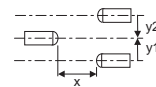
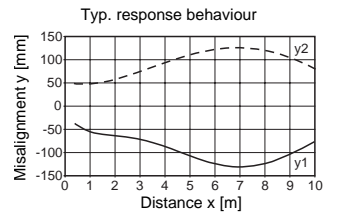
- 1) Typ. operating range limit: max. attainable range without performance reserve
- 2) Operating range: recommended range with performance reserve
- 3) 2=polarity reversal protection, 3=short-circuit protection for all outputs
- 4) Rating voltage 250VAC
- 5) IP 69K test acc. to DIN 40050 part 9 simulated, high pressure cleaning conditions without the use of additives, acids and bases are not part of the test

Tables

0	6	10
---	---	----

Operating range [m]
 Typ. operating range limit [m]

Diagrams



Order guide

	Designation	Part No.
Transmitter and receiver	LSR 95/4 L	
Transmitter	LSR 95/2 SE-L	500 27991
Receiver	LSR 95/4 E-L	500 27992

Remarks



ILSR 95

Throughbeam photoelectric sensors

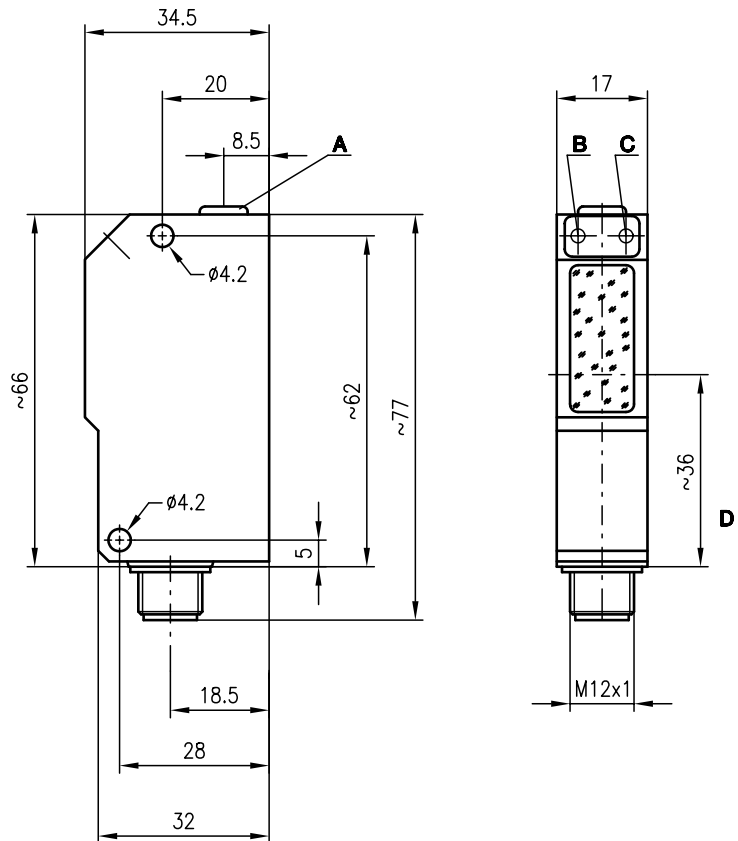


0 ... 18m

10 - 30 V
DC

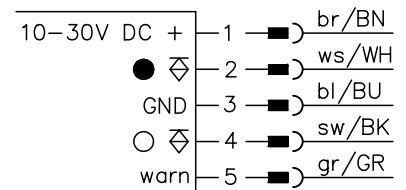
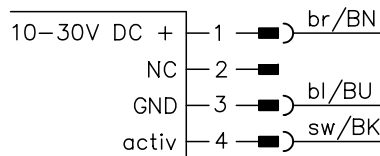
- Throughbeam photoelectric sensor with high performance reserve in red light
- High switching frequency for detection of fast events
- Small construction with glass cover and robust zinc diecast housing, protection class IP 67/IP 69K for industrial application
- Complementary switching outputs for light/dark switching or as a control function
- Very good alignment through wide switching lobe
- Sensitivity adjustment for optimal adaptation to the application

Dimensioned drawing



- A Sensitivity adjustment
- B Switching indicator yellow
- C Operation indicator green
- D Optical axis

Electrical connection



Accessories:

(available separately)

- Mounting systems (BT 95, UMS 1)
- M12 connectors (KD ...)

We reserve the right to make changes • 95_a05e.fm

Specifications

Optical data

Typ. operating range limit ¹⁾	0 ... 18m
Operating range ²⁾	0 ... 12m
Light source	LED (modulated light)
Wavelength	660nm

Timing

Switching frequency	1000Hz
Response time	0.5ms
Delay before start-up	≤ 100ms

Electrical data

Operating voltage U_B	10 ... 30VDC (incl. residual ripple)
Residual ripple	≤ 15% of U_B
Bias current	≤ 35mA
Switching output	2 PNP transistor outputs, complementary
Function characteristics	light/dark switching
Signal voltage high/low	≥ ($U_B - 2V$)/≤ 2V
Output current	max. 100mA
Sensitivity	adjustable with multiturn potentiometer

Indicators

LED green	ready
LED yellow	light path free
LED yellow flashing	light path free, no performance reserve

Mechanical data

Housing	diecast zinc
Optics cover	glass
Weight	90g
Connection type	M12 connector, stainless steel receiver 4-pin, transmitter 4-pin

Environmental data

Ambient temp. (operation/storage) ³⁾	25°C (-30°C) ... +60°C/-40°C ... +70°C
Protective circuit ⁴⁾	2, 3
VDE safety class ⁵⁾	II, all-insulated
Protection class	IP 67, IP 69K ⁶⁾
LED class	1 (acc. to EN 60825-1)
Standards applied	IEC 60947-5-2

Options

Activation input activ	
Transmitter active/not active	≥ 8V/≤ 2V or not connected
Activation/disable delay	≤ 1ms
Input resistance	4.7kΩ ± 10%
Warning output autoControl warn	
Signal voltage high/low	PNP transistor, counting principle
Output current	≥ ($U_B - 2V$)/≤ 2V max. 100mA

- 1) Typ. operating range limit: max. attainable range without performance reserve
- 2) Operating range: recommended range with performance reserve
- 3) -30°C with operating voltage continuously applied
- 4) 2=polarity reversal protection, 3=short-circuit protection for all outputs
- 5) Rating voltage 250VAC
- 6) IP 69K test acc. to DIN 40050 part 9 simulated, high pressure cleaning conditions without the use of additives, acids and bases are not part of the test

Order guide

	Designation	Part No.
Transmitter and receiver	ILSR 95/44.8 L.1	
Transmitter	LSR 95/2.8 SE-L.1	500 34509
Receiver	ILSR 95/44 E-L.1	500 34510

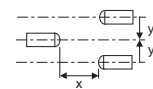
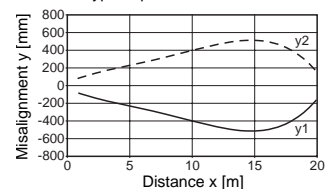
Tables

0	12	18
---	----	----

<input type="checkbox"/>	Operating range [m]
<input type="checkbox"/>	Typ. operating range limit [m]

Diagrams

Typ. response behaviour



Remarks

PRK 95

Retro-reflective photoelectric sensors with polarisation filter

Part No. 501 11241

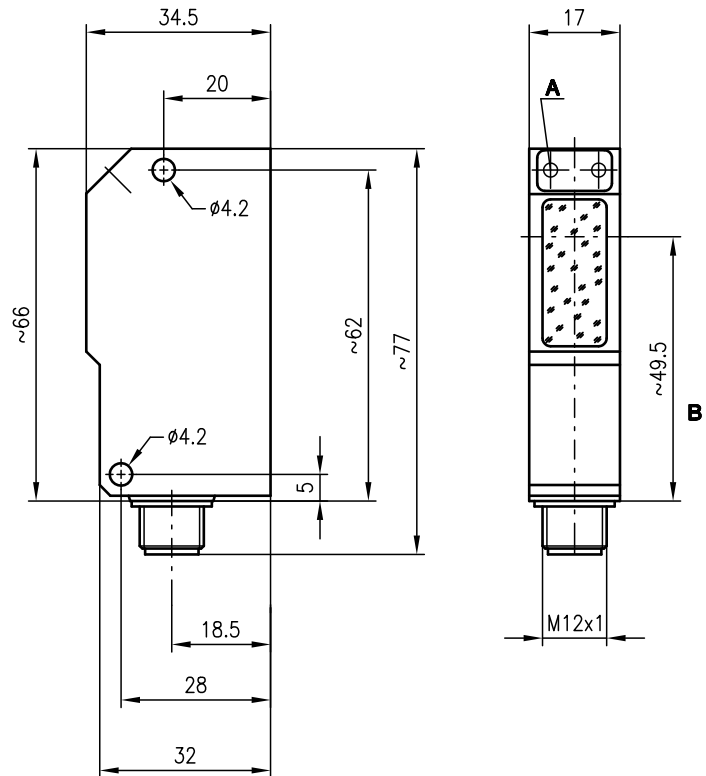


0 ... 5m



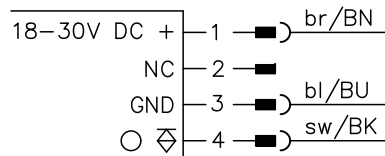
- Polarised retro-reflective photoelectric sensor using visible red light
- The autocollimation principle used ensures that the device functions reliably over the entire range (0 ... max.)
- Polarisation filter blocks unwanted reflections
- Small construction with glass cover and robust zinc diecast housing, protection class IP 67/IP 69K for industrial application
- Mounting holes and M12 connector for fast installation

Dimensioned drawing



- A** Switching indicator yellow
- B** Optical axis

Electrical connection



Accessories:

(available separately)

- Mounting systems (BT 95, UMS 1)
- M12 connectors (KD ...)
- Reflectors
- Reflective tapes

We reserve the right to make changes • 95_b01.gb.fm

Specifications

Optical data

Typ. operating range limit (TK(S) 100x100) ¹⁾ 0 ... 5m
 Operating range ²⁾ see tables
 Light beam characteristic divergent
 Light source LED (modulated light)
 Wavelength 660nm (visible red light, polarised)

Timing

Switching frequency 200Hz
 Response time 2.5ms
 Delay before start-up ≤ 100ms

Electrical data

Operating voltage U_B 18 ... 30VDC (incl. residual ripple)
 Residual ripple ≤ 15% of U_B
 Bias current ≤ 30mA
 Switching output 1 PNP transistor output
 Function characteristics light switching
 Signal voltage high/low ≥ ($U_B - 2V$) / ≤ 2V
 Output current max. 100mA

Indicators

LED yellow light path free

Mechanical data

Housing diecast zinc
 Optics cover glass
 Weight 90g
 Connection type M12 connector, stainless steel, 4-pin

Environmental data

Ambient temp. (operation/storage) -20°C ... 60°C / -30°C ... +70°C
 Protective circuit ³⁾ 2, 3
 VDE safety class ⁴⁾ II, all-insulated
 Protection class IP 67, IP 69K ⁵⁾
 LED class 1 (acc. to EN 60825-1)
 Standards applied IEC 60947-5-2

- 1) Typ. operating range limit: max. attainable range without performance reserve
- 2) Operating range: recommended range with performance reserve
- 3) 2=polarity reversal protection, 3=short-circuit protection for all outputs
- 4) Rating voltage 250VAC
- 5) IP 69K test acc. to DIN 40050 part 9 simulated, high pressure cleaning conditions without the use of additives, acids and bases are not part of the test

Tables

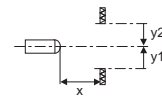
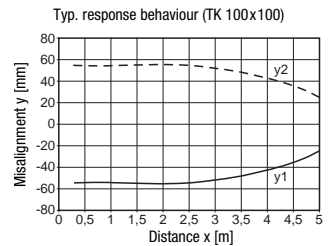
Reflectors			Operating range
1	TK(S)	100x100	0 ... 3.4m
2	MTK(S)	50x50	0 ... 2.7m
3	TK(S)	30x50	0 ... 1.5m
4	TK(S)	20x40	0 ... 1.4m
5	Tape 2	100x100	0 ... 0.8m

1	0	3.4	5
2	0	2.7	4.5
3	0	1.5	2.5
4	0	1.4	2.4
5	0	0.8	1.2

□ Operating range [m]
 ▒ Typ. operating range limit [m]

TK ... = adhesive
 TKS ... = screw type
 Tape 2 = adhesive

Diagrams



Order guide

Designation	Part No.
PRK 95/4 L.2	500 27993

Remarks

- **Approved purpose:**
 The retro-reflective photo-electric sensors are optical electronic sensors for optical, contactless detection of objects.



IPRK 95

Retro-reflective photoelectric sensors with polarisation filter



0 ... 6.0m
0 ... 0.3m

10 - 30 V
DC

- Polarised retro-reflective photoelectric sensor using visible red light
- The autocollimation principle used ensures that the device functions reliably over the entire range (0 ... max.)
- Polarisation filter blocks unwanted reflections
- Complementary switching outputs for light/dark switching or as a control function
- IPRK 95/44 L.3 uses a focussed light beam for maximum switching and positioning accuracy
- IPRK 95/44 L.21 with potentiometer for detection of:
shrink-wrapped packing drums

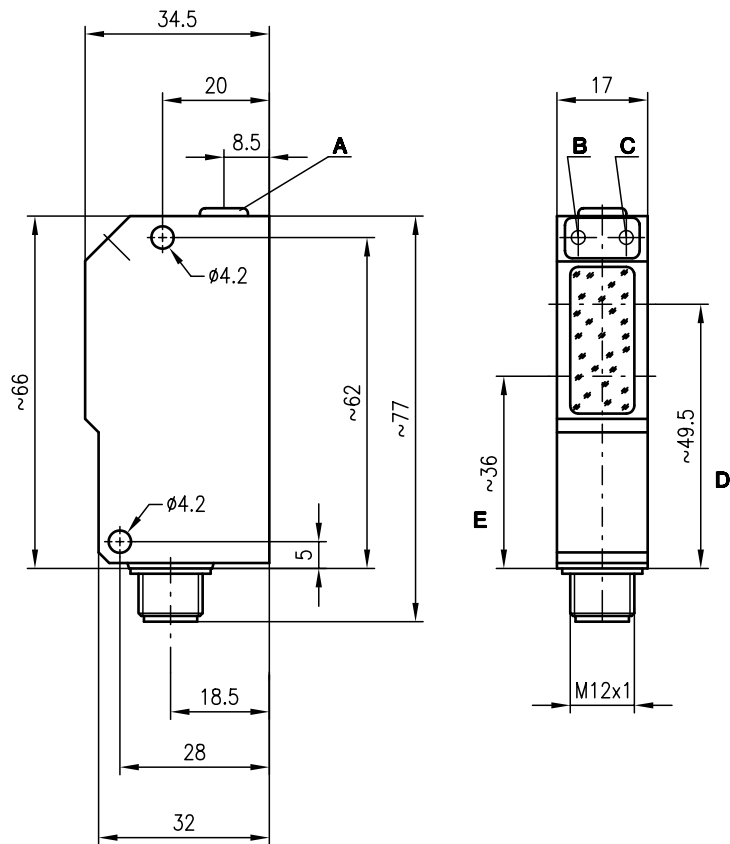


Accessories:

(available separately)

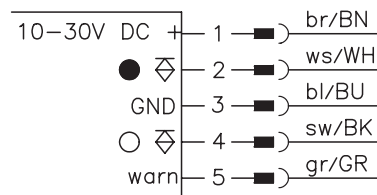
- Mounting systems (BT 95, UMS 1)
- M12 connectors (KD ...)
- Reflectors
- Reflective tapes

Dimensioned drawing



Electrical connection

IPRK 95/44 L.21
IPRK 95/44 L.2
IPRK 95/44 L.3



Specifications

Optical data

Typ. operating range limit ¹⁾
 Operating range ²⁾
 Light beam characteristic
 Light source
 Wavelength

IPRK 95/... L.2 (L.21)

0 ... 6m (TK(S) 100x100)
 see tables
 divergent
 LED (modulated light)
 660nm (visible red light, polarised)

IPRK 95/44 L.3

0 ... 0.3m (tape 2)
 see tables
 focussed at 100mm

Timing

Switching frequency
 Response time
 Delay before start-up

1000Hz
 0.5ms
 ≤ 100ms

Electrical data

Operating voltage U_B
 Residual ripple
 Bias current
 Switching output
 Function characteristics
 Signal voltage high/low
 Output current
 Sensitivity

10 ... 30VDC (incl. residual ripple)
 ≤ 15% of U_B
 ≤ 35mA
 2 PNP transistor outputs, complementary
 light/dark switching
 $\geq (U_B - 2V) / \leq 2V$
 max. 100mA
 adjustable via multiturn potentiometer

Indicators

LED green
 LED yellow
 LED yellow flashing

ready
 light path free
 light path free, no performance reserve

Mechanical data

Housing
 Optics cover
 Weight
 Connection type

diecast zinc
 glass
 90g
 M12 connector, stainless steel, 5-pin

Environmental data

Ambient temp. (operation/storage)³⁾
 Protective circuit ⁴⁾
 VDE safety class ⁵⁾
 Protection class
 LED class
 Standards applied

-25°C (-30°C) ... +55°C/-40°C ... +55°C
 2,3
 II, all-insulated
 IP 67, IP 69K ⁶⁾
 1 (acc. to EN 60825-1)
 IEC 60947-5-2

Options

Warning output autoControl warn
 Signal voltage high/low
 Output current

PNP transistor, counting principle
 $\geq (U_B - 2V) / \leq 2V$
 max. 100mA

- 1) Typ. operating range limit: max. attainable range without performance reserve
- 2) Operating range: recommended range with performance reserve
- 3) -30°C with operating voltage continuously applied
- 4) 2=polarity reversal protection, 3=short-circuit protection for all outputs
- 5) Rating voltage 250 VAC
- 6) IP 69K test acc. to DIN 40050 part 9 simulated, high pressure cleaning conditions without the use of additives, acids and bases are not part of the test

Order guide

	Designation	Part No.	UL
With PNP switching output 0 ... 6.0m	IPRK 95/44 L.2	500 22680	●
With PNP switching output 0 ... 0.3m	IPRK 95/44 L.3	500 22681	●
With PNP switching output 0 ... 6.0m adjustable sensitivity	IPRK 95/44 L.21	501 02613	

Tables

IPRK 95/... L.2

Reflectors	Operating range
1 TK(S) 100x100	0 ... 4.2m
2 MTK(S) 50x50	0 ... 3.2m
3 TK(S) 30x50	0 ... 1.8m
4 TK(S) 20x40	0 ... 1.7m
5 Tape 2 100x100	0 ... 1.2m

1	0	4.2	6
2	0	3.2	5.4
3	0	1.8	3.0
4	0	1.7	2.9
5	0	1.2	1.7

□ Operating range [m]
 ▒ Typ. operating range limit [m]

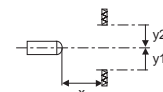
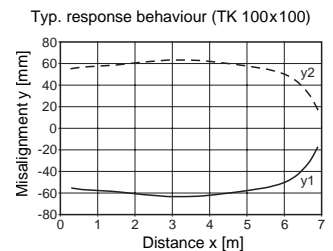
IPRK 95/44 L.3

Reflectors	Operating range
Tape 2 10x10	0 ... 0.3m

TK ... = adhesive
 TKS ... = screw type
 Tape 2 = adhesive

Diagrams

IPRK 95/... L.2



Remarks

- The retro-reflective photoelectric sensor with 3m operating range is also available with an integrated AS-i chip for direct connection to the AS-i system.



IPRK 95

Retro-reflective photoelectric sensors with polarisation filter



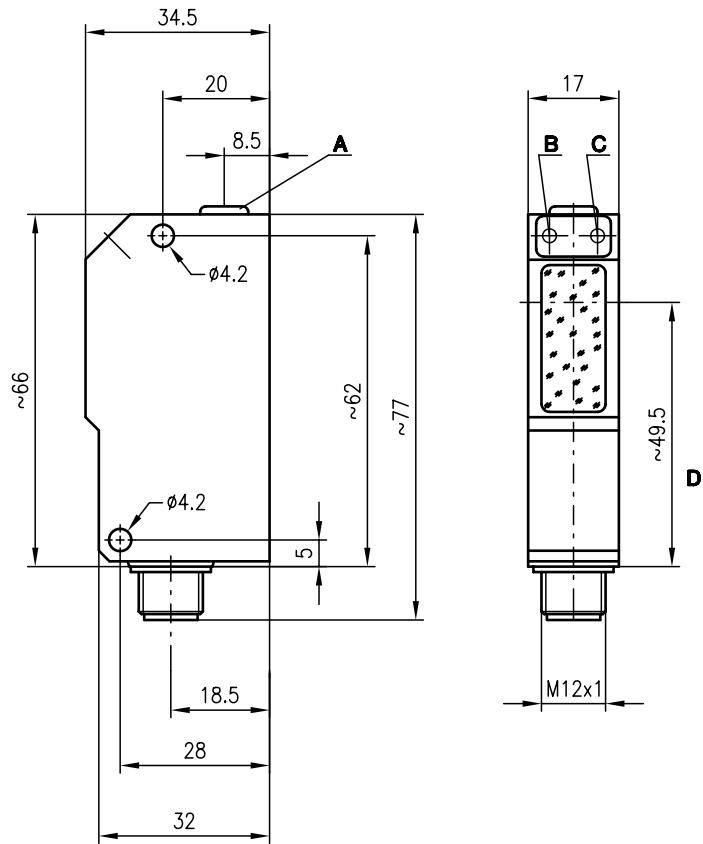
0 ... 3m
0 ... 6m



- Polarised retro-reflective photoelectric sensors with integrated AS-i slave
- The autocollimation principle used ensures that the device functions reliably over the entire range (0 ... max.)
- The retro-reflective photoelectric sensor PRK 95/A L.4 is used for the detection of transparent media (e.g. clear glass, PE, foil) within the operating range of 1.5m
- Adjustable sensitivity with high resolution allows detection of transparent objects

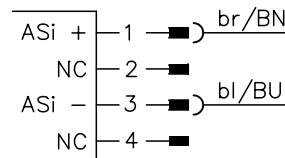


Dimensioned drawing



- A Sensitivity adjustment
- B Switching indicator yellow
- C Operation indicator green
- D Optical axis

Electrical connection



Accessories:

(available separately)

- Mounting systems (BT 95, UMS 1)
- M12 connectors (KD ...)
- Reflectors
- Reflective tapes

AS-i Accessories:

(available separately)

- Bus terminals
- AS-i ribbon cable
- Address programming device
- Coupling modules
- Intermediate cables etc.

We reserve the right to make changes • 95_b06e.fm



Specifications

Optical data	IPRK 95/A L.2	PRK 95/A L.4
Typ. operating range limit (TK(S) 100x100) ¹⁾	0 ... 6m	0 ... 3m
Operating range ²⁾	see tables	see tables
Light beam characteristic	divergent	
Light source	LED (modulated light)	
Wavelength	660nm (visible red light, polarised)	
Timing		
Sensor switching frequency	1000Hz	
Sensor response time	0.5ms	
Delay before start-up	≤ 100ms	
Electrical data		
Operating voltage U _B	26.5 V ... 31.6 V (according to AS-i specification)	
Bias current	≤ 35mA	
Sensitivity		adjustable with 10-turn potentiometer
Indicators ³⁾		
LED green	ready	
LED yellow, slowly flashing	operating point 1 clear glass transition from quickly flashing to slowly flashing / light path free	
LED yellow, quickly flashing	operating point 2 coloured glass transition from continuous light to quickly flashing / light path free	
LED yellow, continuous light	operating point 3 non transparent media continuous light/light path free	
Mechanical data		
Housing	diecast zinc	
Optics cover	glass	
Weight	90g	
Connection type	M12 connector, stainless steel	
Environmental data		
Ambient temp. (operation/storage) ⁴⁾	-25°C (-30°C) ... +55°C/-40°C ... +55°C	
Protective circuit ⁵⁾	1, 4	
VDE safety class ⁶⁾	II, all-insulated	
Protection class	IP 67, IP 69K ⁷⁾	
LED class	1 (acc. to EN 60825-1)	
Standards applied	IEC 60947-5-2	
AS-i data		
I/O code	1	
ID code	1	
Address	programmed by the user in the range of 1 to 31 (default=0)	
Cycle time acc. to AS-i specification	5ms	
AS-i standard according to profile	S-1.1	

Tables

IPRK 95/A L.2

Reflectors	Operating range
1 TK(S) 100x100	0 ... 4.2m
2 MTK(S) 50x50	0 ... 3.2m
3 TK(S) 30x50	0 ... 1.8m
4 TK(S) 20x40	0 ... 1.7m
5 Tape 2 100x100	0 ... 1.2m

1	0	4.2	6
2	0	3.2	5.4
3	0	1.8	3.0
4	0	1.7	2.9
5	0	1.2	1.7

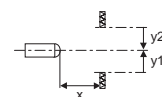
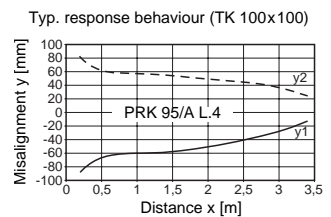
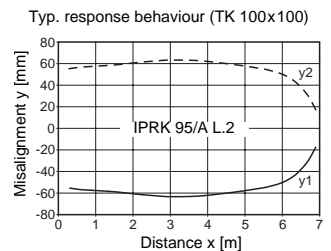
PRK 95/A L.4

Reflectors	Operating range
1 TK(S) 100x100	0 ... 1.8m
2 MTK(S) 50x50	0 ... 1.8m
3 TK(S) 30x50	0 ... 1.1m
4 TK(S) 20x40	0 ... 1.0m
5 Tape 2 100x100	0 ... 0.4m

1	0	1.8	3
2	0	1.8	3
3	0	1.1	1.8
4	0	1.0	1.7
5	0	0.4	0.7

□ Operating range [m]
 ▒ Typ. operating range limit [m]

Diagrams



Remarks

Objects	Adjustment (indicator LED yellow)
Clear glass, PE, foil	Operating pt. 1
Coloured glass	Operating pt. 2
Opaque objects	Operating pt. 3

Assignment: data bits			Assignment: parameter bits		
	Switching output	Programming (host level)		Programming (host level)	
D ₀	∅ no reflection 1 reflection	System input	*P ₀	NC ∅ 1	System parameter
D ₁	Warning output autoControl ¹⁾ ∅ active 1 not active	System input	*P ₁	light/dark switching ∅ dark switching 1 light switching	System parameter
D ₂	Ready output ∅ sensor not ready 1 sensor ready	System input	*P ₂	NC ∅ 1	System parameter
*D ₃	Activation input ∅ transmitter on 1 transmitter off	System output	*P ₃	NC ∅ 1	System parameter

* default = 1

1) applies only for IPRK 95/A L.2

Order guide

Designation	Part No.
IPRK 95/A L.2	500 27094
PRK 95/A L.4	500 27095