

For any transparent objects, designed in a smallest dimensions.

SR-Q series

TFT, glass, PET bottle and any application that would require to sense transparent objects.

■ Cable type

SR-Q50NW (NPN) : 500mm (With V-61 reflector)

SR-Q50PW (PNP) : 500mm (With V-61 reflector)

■ M8 Connector type

SR-Q50CNW (NPN) : 500mm (With V-61 reflector)

SR-Q50CPW (PNP) : 500mm (With V-61 reflector)



SR-Q50CNW(or CPW) with M8 connector cable JCN-S

SR-Q50NW(or PW) cable type



Features

High stability to glass sensing

PET bottles curved even in particular way are possible to sense.
Bottle material doesn't matter.
CRT and TFT are also possible to sense.

High durability to ambient noise

Confident to Noise Resistance Test against relay noise, inverter noise, electromagnetic, static, etc. In-house test (Failen Test) secures more than IEC standard.

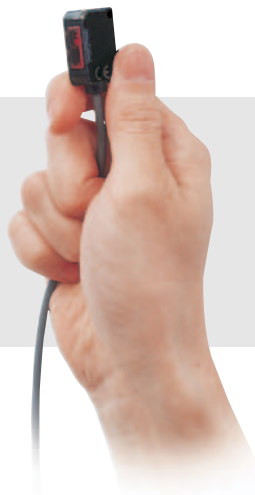
Compact Size

(10 × 17 × 28 mm dimensions)

Applicable to OEM use in a small size machine.

Rigid mechanics

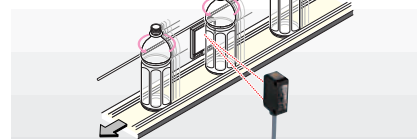
100G standard, tough to mechanical shock and vibration.



Applications (example)

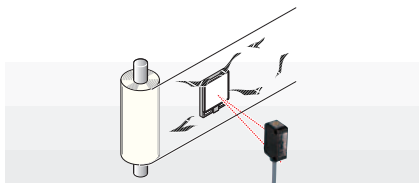
Beverage industry

Detecting PET bottles for a filling machine



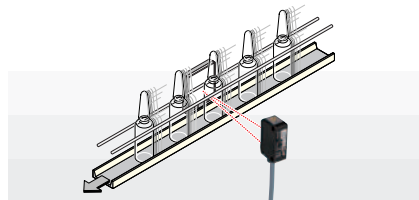
Packaging industry

Monitoring the ends of transparent films



Pharmaceutical industry

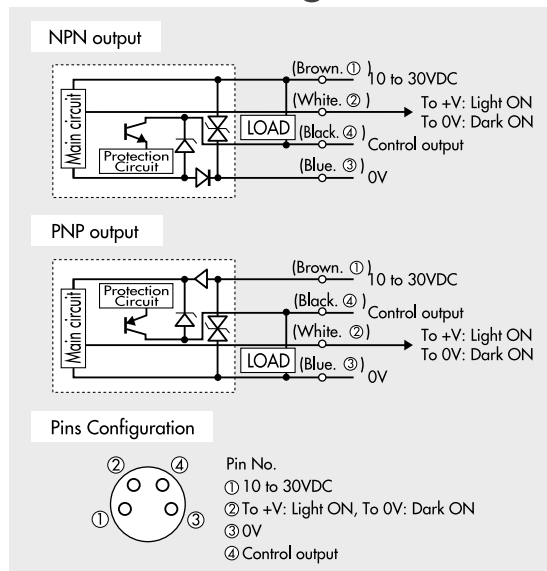
Counting transparent ampoules



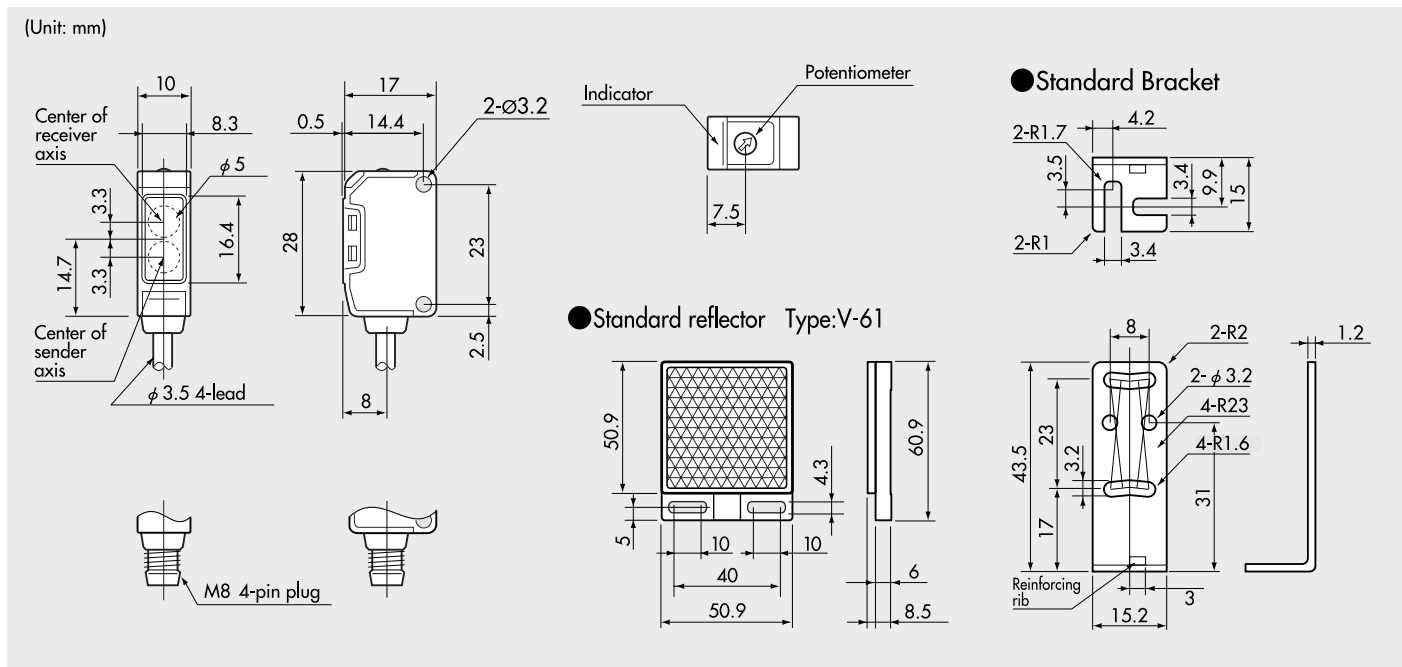
Specifications

Model	Cable Type	M8 Connector Type
NPN output	SR-Q50NW	SR-Q50CNW
PNP output	SR-Q50PW	SR-Q50CPW
Detecting distance	500mm(With V-61)	
Light source	Red LED	
Response time	0.5msec Max	
Sensitivity adjustment	Potentiometer(270°)	
Control output	NPN or PNP Open collector, 100mA Max / 30V DC	
Connection	4-lead cable, 2m M8 40pin	
Isolated resistance	20MΩ Max.(500VDC)	
Supply voltage	10 to 30 V DC including 10% of ripple	
Current consumption	30mA Max.	
Noise resistance	C4525 500V	
Feilen Test	IEC801-2,3,4 Level 3	
Ambient Temp/Humid	-25 to 55 °C / 35 to 85%RH	
Environment illuminance	Sunlight:10,000lux max., Incandescent lamp:3,000 lux max.	
Vibration resistance	10 50 55 Hz amplitude 1.5mm, X-Y-Z for 2 hours	
Shock resistance	100G(1,000m/S ²),X-Y-Z axis 3times	
Protection category	IP67	
Material	PSF + PBT	
Weight	Approx. 5g(Without cable)	

Connection diagram



Dimensions



Optional accessories

Model	Description
V-42	Small reflection mirror (Detecting distance: Up to 300mm)
JCN-S	M8 4-pin connector cable 2m (L-shaped)
JCN-L	M8 4-pin connector cable 2m (Straight)
BEF-W150-B	Fitting metal (Horizontal type)
LS-S01	Protective bracket (Right-angle end: see right)
LS-S02	Protective bracket (Straight end: see right)



Straight connector
JCN-S



L-shape connector
JCN-L



*Technical date, specsheet, instruction manual and this catalogue is available for download. Visit our Website ; <http://www.optex-fa.com>
 For technical support please call our authorized distributor in your country that is also listed in our Website.



OPTEX FA CO., LTD.

607-8085 Kyoto, Yamashina-ku, Takehanadounomae-cho 46-1, Japan
 TEL +81-75-594-8123 FAX +81-75-594-8124