

Cable type

V3 series

Terminal chamber type

V4 series

Easily disconnect and replace the amplifier leaving the mounting base as it is.

Ideal for quick maintenance.

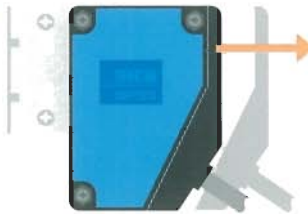


■ Relay type

Types	V3 series	V4 series	Replacement Unit
Thru-Beam 40m	V3T-4000	V4T-4000	US-34 (emitter),UR-34 (receiver)
Retro reflection 10m	V3R-1000	V4R-1000	UR-34
Diffuse reflection 1.3m	V3D-130	V4D-130	UD-34

Features

Leave the base as it is, and just replace the amplifier only. (V3, V4 common). Possible to replace in a moment simply with a screw driver.



Replace unit UR-34 (Retro-type)

→ **V3 series**

Long Scanning Range

Through-beam: 40m



Retro-reflection: 10m

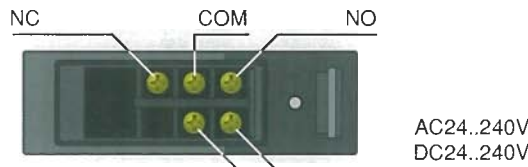


Diffused reflection: 1.3m



Terminal layout for easy connection

→ **V4 series**



Applications (example)

Transportation industry

Positioning the car in garage.



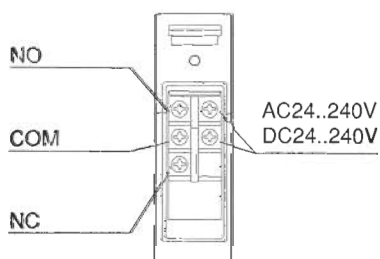
Unflamable ABS used for housing. 15% glass powder is inclusive.

Specifications

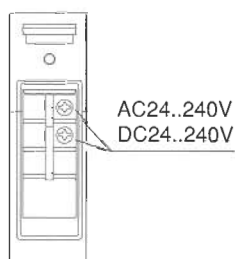
	Through-beam	Retro-reflection	Diffused reflection Red LED
V3 series : 2 m cable type	V3T-4000	V3R-1000	V3D-130
V4 series : Terminal Chamber type	V4T-4000	V4R-1000	V4D-130
Maintenance Unit (common to V3/V4)	US-34(emitter) UE-34(receiver)	UR-34	UD-34
Scanning range	40m	0.01 - 10m	1.3 m
Response		20msec	
Operation mode		Light ON	
Hysteresis		NIL	20% Max
Light source		Red	
Indicator		Single LED (Orange) as output indicator	
Control output		Relay NO/NC AV240V/DC30V, 3A	
Supply voltage		AC/DC 24-240V, +/- 10% ripple	
Regulation		JIS/C4525, CE, UL	
Power consumption RELAY type	9.5VA		5VA
Connection V3 series		2 meter cable	
V4 series		Terminal chamber, applicable cable $\phi 6$ to $\phi 10$	
Ambient temperature		-25 to 55°C	
Ambient humidity		35 to 85 % RH	
Storage Temperature		- 40 to 70°C / 35 - 95% RH	
Sensitivity adjustment		Single turn trimmer	
Protection		IEC 144, IP66	
Regulation		JIS/C4525, CE, cRUus	
Shock resistance		50G , XYZ 3-ways	
Materials		Glassfiber reinforced ABS (Case), PMMA (Lens)	

Components

Retro, Diffuse, and Receiver of Thru-Beam

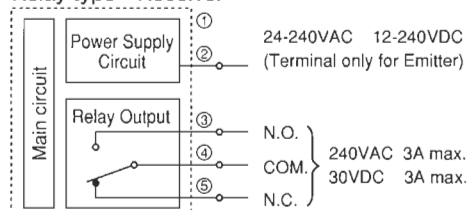


Emitter of V3T and V4T type

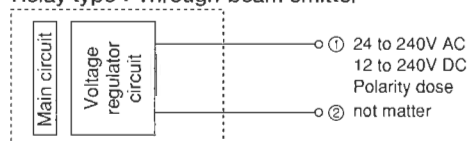


Connection diagram

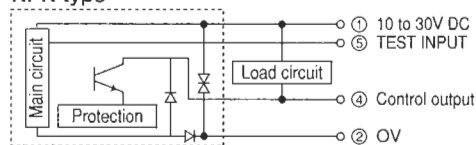
Relay type : Receiver



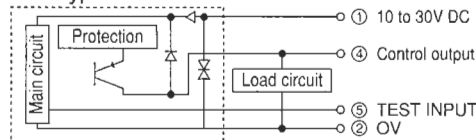
Relay type : Through-beam emitter



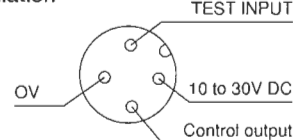
NPN type



PNP type

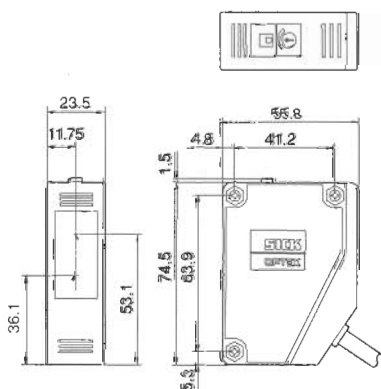


Pin configuration

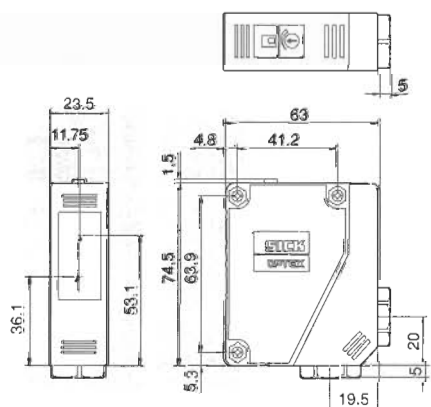


Dimensions

V3 series : Cable type



V4 series : Terminal chamber type



(Unit : mm)



OPTEX FA CO., LTD.

46-1 Takehanadounomae-cho Yamashina-ku Kyoto 607-8085 Japan
TEL +81-75-594-8123 FAX +81-75-594-8124